
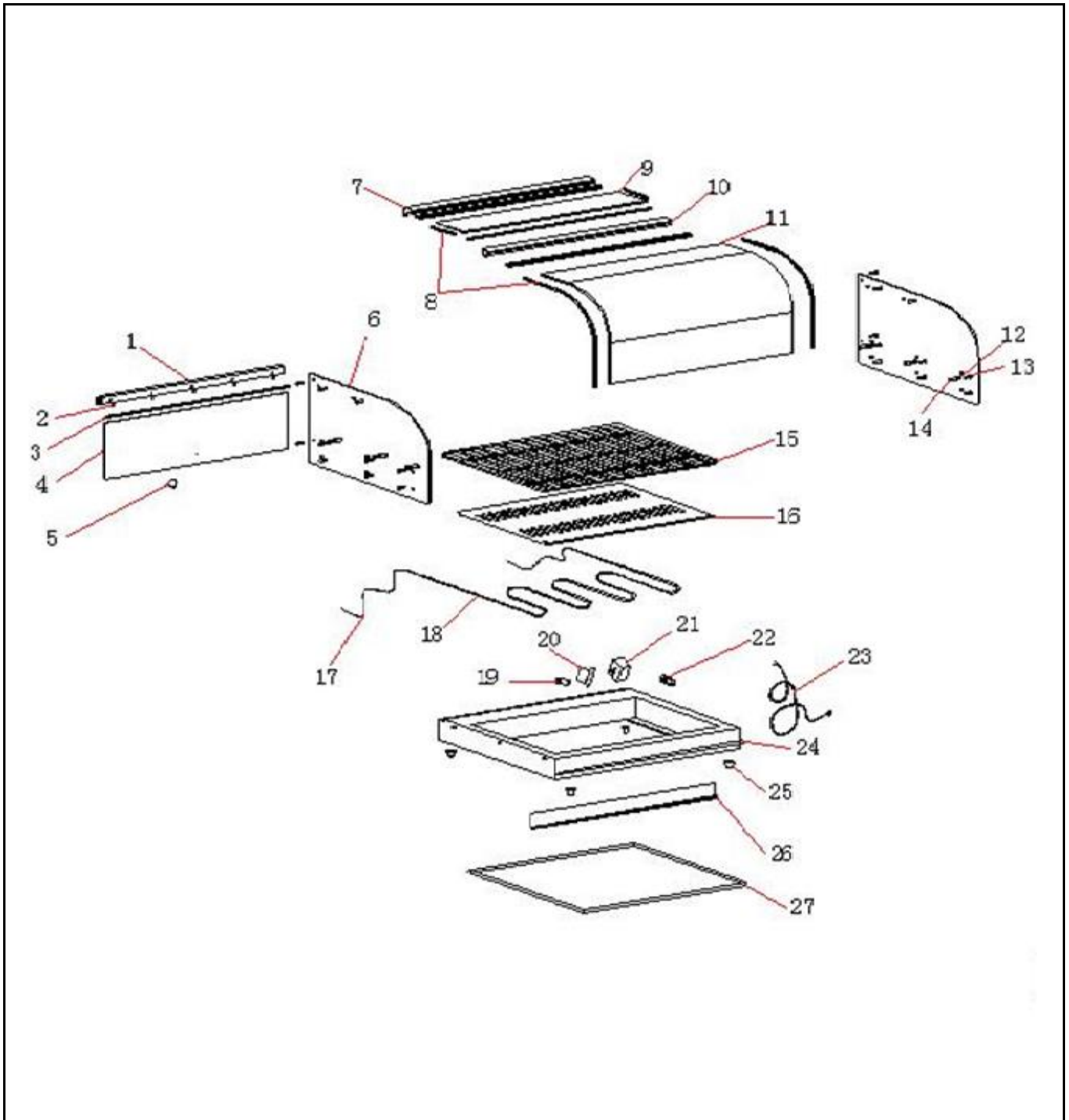



### Drawing

 <b style="font-size: 2em; font-weight: bold; color: red;">HENDI</b> FOOD SERVICE EQUIPMENT <b>Hendi B.V.</b> Steenoven 21 3911 TX Rhenen The Netherlands	<b>Batch #</b>	<b>Appliance part#</b>
	Batch nr 300018 and up	273982
	<b>Description</b>	
	Heated display case	

<b>Date</b>	23-05-2016	<b>Revision #</b>	Revision version
<b>Revision</b>	First bill of materials (BOM)		



### Bill of materials (BOM)

 <p><b>Hendi B.V.</b> Steenoven 21 3911 TX Rhenen The Netherlands</p>	<b>Batch #</b>	<b>Appliance part#</b>
	Batch nr 300018 and up	<b>273982</b>
	<b>Description</b>	
<b>Heated display case</b>		


<b>Date</b>	23-05-2016	<b>Revision #</b>	Revision version
<b>Revision</b>	First bill of materials (BOM)		

Item	Description	Part#	Quantity	Remark	Picture
1	U bracket	n/a	1		
2	Socket screw M4x3	n/a	5		
3	Silicone strip	n/a	1		
4	Glass door	933718	1		
5	Door knob	940303	1		
6	Glass side (left/right)	935262	2		
7	L bracket	n/a	1		
8	Silicone strip set	940358	2		
9	Top glass	940310	1		
10	Bracket	n/a	1		
11	Front glass	932711	1		
12	Nylon insert	n/a	16		
13	Screw M6x15	n/a	18		
14	Holder grid	n/a	6		
15	Upper grid	933121	1		
16	Lower grid	932865	1		
17	Wiring	n/a	1		
18	Element	940327	1		
19	Indicator light yellow	912003	1		
20	Knob thermostat	940334	1		
21	Thermostat 85°C	900635	1		
22	Cord inlet with retainer	912201	1		
23	Power cord	205303	1		
24	Housing	n/a	1		
25	Feet	n/a	4		
26	Silicone strip	n/a	1		
28	Crumb tray	940341	1		

n/a -> not available

nss -> not sold separately

### Circuit diagram

 <b style="font-size: 2em; color: red;">HENDI</b> <small>FOOD SERVICE EQUIPMENT</small> <b>Hendi B.V.</b> Steenoven 21 3911 TX Rhenen The Netherlands	<b>Batch #</b>	<b>Appliance part#</b>
	Batch nr 300018 and up	<b>273982</b>
	<b>Description</b>	
	<b>Heated display case</b>	

<b>Date</b>	23-05-2016	<b>Revision #</b>	Revision version
<b>Revision</b>	First bill of materials (BOM)		

